

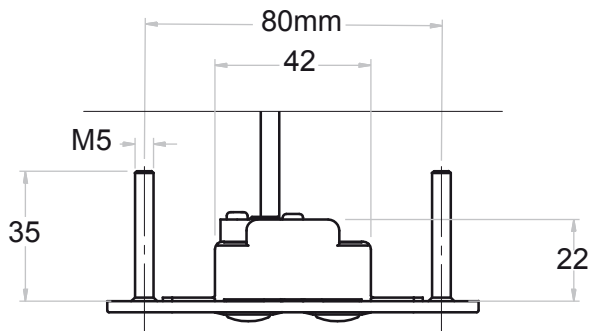
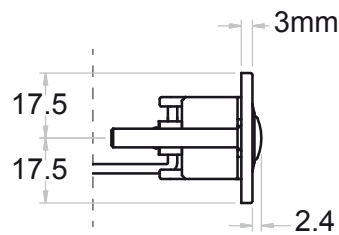
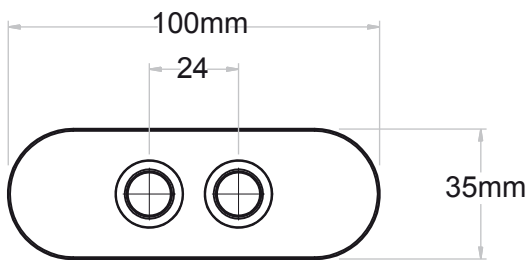
### MAIN FEATURES

- Buttons: 2
- Housing colour: Stainless steel

### TECHNICAL DATA:

- Protection type: IP20
- Material: Stainless steel (Housing)
- Customer specific printing
- Supply Voltage: 5÷30Vdc
- Cable length: 150cm.

### DIMENSIONS



### STANDARD KIT CONFIGURATIONS

