

CF57 LR M2 Lift Position

**CF56 LR SINGLE MOTOR**



Recliner 3 way



Rated at 120Kg. (265lbs.) \*



Vertical lift: 100mm. (Rise and Tilt)

**CF57 LR DUAL MOTOR**



Recliner 3 way



Rated at 120Kg. (265lbs.) \*



Vertical lift: 100mm. (Rise and Tilt)



Lay Flat



Independent adjustments for footrest and backrest

\* Reinforced version rated at 150 kg available on request

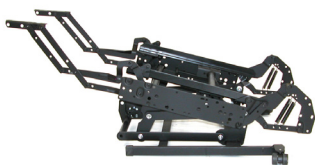
**PRODUCT RANGE:**

CF56 LR M1 Lift/Recliner Single motor

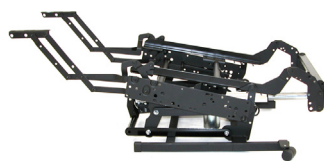
CF57 LR M2 Lift/Recliner Dual motor

CF56 R M1 Recliner Single motor

CF57 R M2 Recliner Dual motor



CF56 LR M1

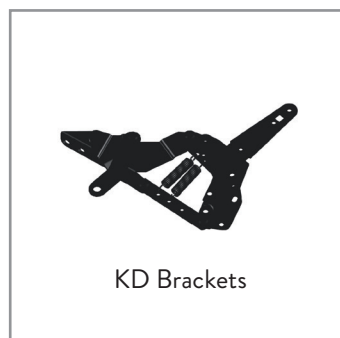


CF57 LR M2

**ACCESSORIES:**



Trolley CF56/CF57



KD Brackets

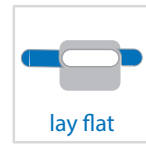
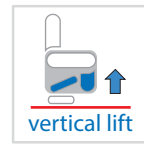


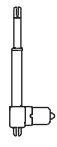
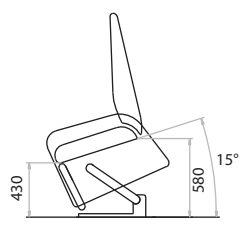
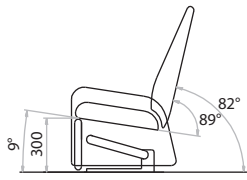
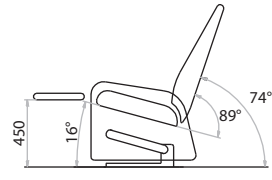
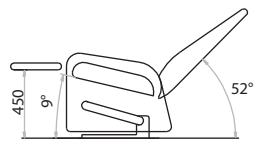
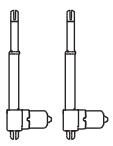
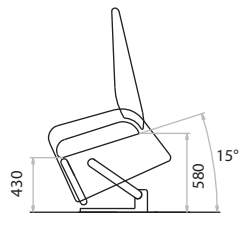
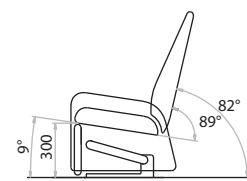
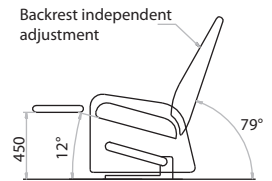
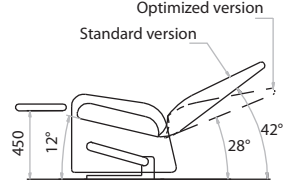
Seat rails

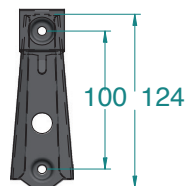
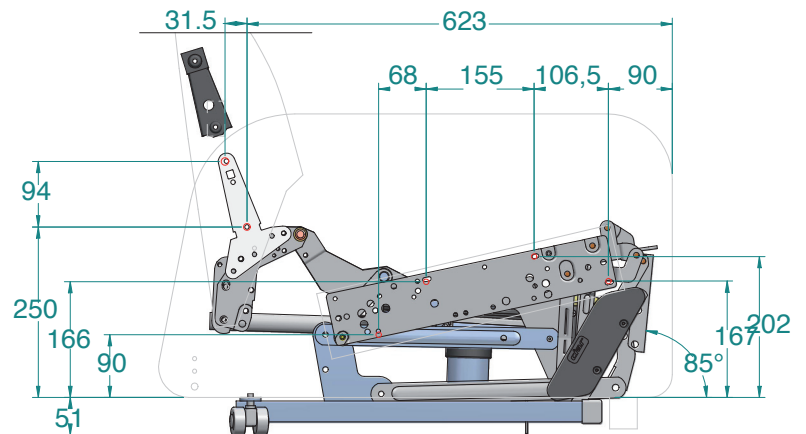
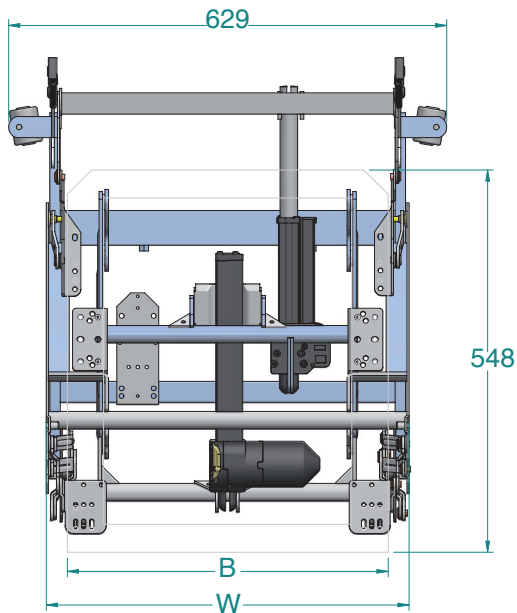
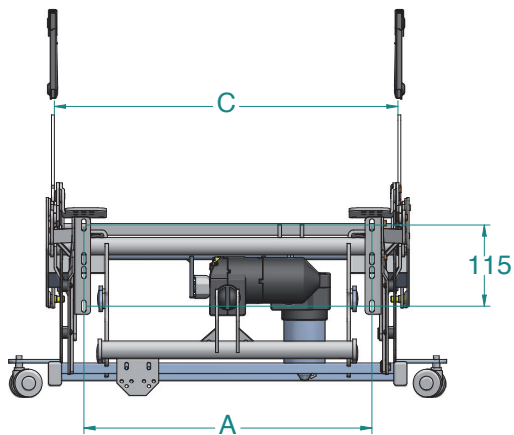


Safety shields

# CF56/57 Lift/Recliner



CF5* Range	Lift Position	0 Position	TV Position	Relax Position
<p>CF56 L-R</p> 				
<p>CF57 L-R</p> 			<p>Backrest independent adjustment</p> 	<p>Optimized version Standard version</p> 



WIDTH (W)	A	B	C
520	410	460	480
570	460	510	530