



CF46 LR M2 Lift Position

CF45 LR SINGLE MOTOR

- Recliner 2 way "Tilt in space"
- Heavy duty: Rated at 160Kg. (350lbs.)
- Vertical lift: 100mm. (Rise and Tilt)
- Low profile

CF46 LR DUAL MOTOR

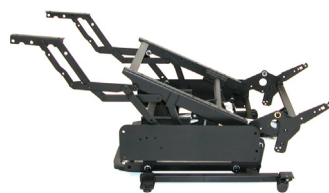
- Recliner 3 way
- Heavy duty: Rated at 160Kg. (350lbs.)
- Vertical lift: 100mm. (Rise and Tilt)
- Low profile
- "Zero Gravity" Position
- Independent adjustments for footrest and backrest

PRODUCT RANGE:

- CF45 LR M1 Lift/Recliner Single motor
- CF46 LR M2 Lift/Recliner Dual motor
- CF45 R M1 Recliner Single motor
- CF46 R M2 Recliner Dual motor

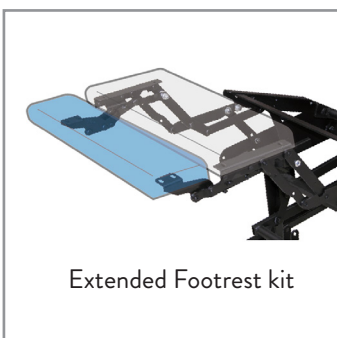


CF45 LR M1




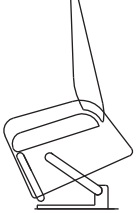

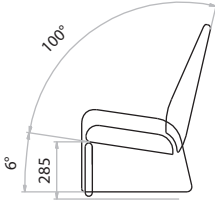
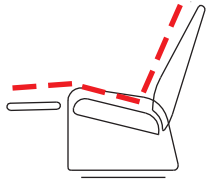
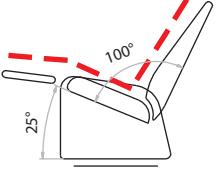


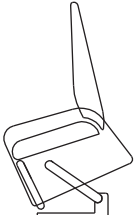
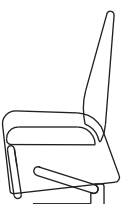
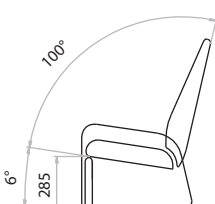
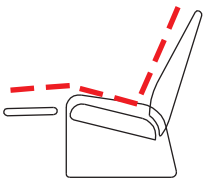
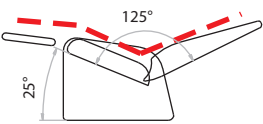
CF46 LR M2

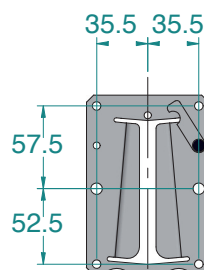
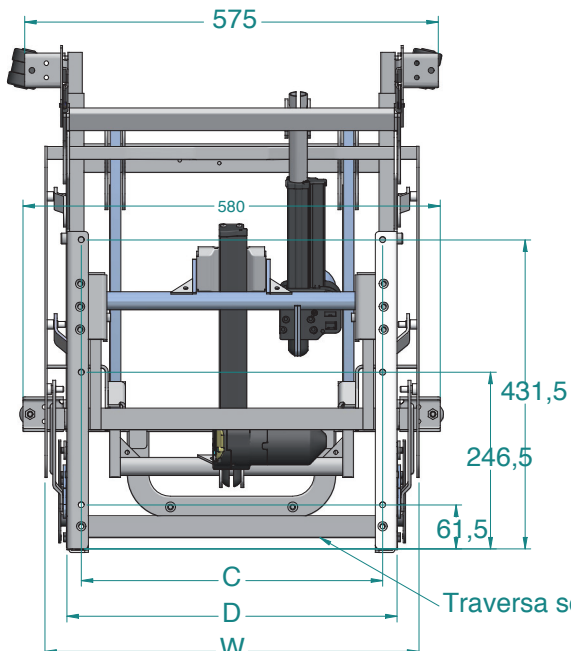
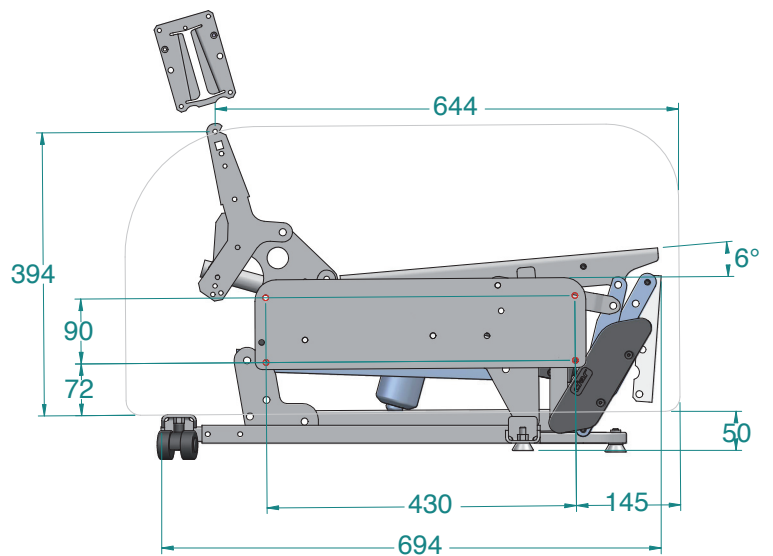
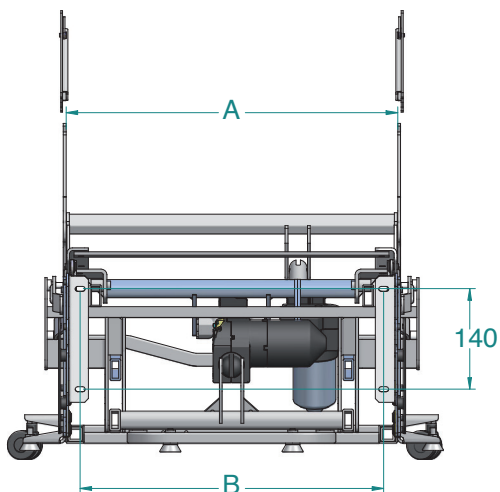
ACCESSORIES:



CF45/46 Lift/Recliner



	Lift	Vertical Lift	0 Position	TV Position	Relax TIS Position
CF45 LR 					
CF46 LR  					Zero Gravity Position 



WIDTH	A	B	C	D
470	410	372	370	410
520	460	422	420	460
570	510	472	470	510

Traversa solo per larghezza (520) - (570)